



# REDUKCIA PRE ŠNEKOVÚ PREVODOVKU

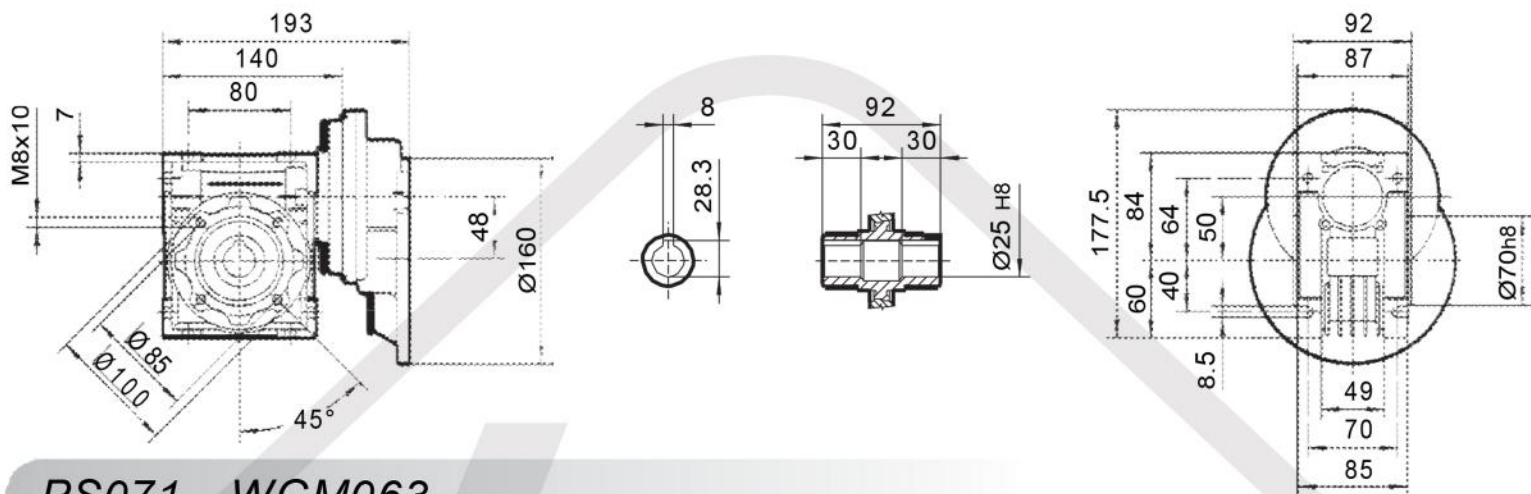
## ČELNÁ MEDZIPREVODOVKA TYP 71

$P_{1n}$ [kW]	$n_2$ [r/min]	$M_{2n}$ [Nm]	$i$	$F_{r2}$ [N]	$f_s$					
0.25	18.7	88	75	3889	1.0	<b>PS071 - WGM050</b>	<b>71A4</b>			
	15.6	98	90	4132	1.1					
	11.7	121	120	4548	0.8					
	0.25	18.7	91	75	5083	1.8	<b>PS071 - WGM063</b>	<b>71A4</b>		
		15.6	100	90	5401	2.0				
		11.7	125	120	5945	1.5				
9.3		143	150	6270	1.2					
0.25		7.8	163	180	6270	1.0			<b>PS071 - WGM063</b>	<b>71A4</b>
		5.8	192	240	6270	0.7				
	4.7	215	300	6270	0.6					
0.25	12.0	135	75	5889	1.6	<b>PS071 - WGM063</b>	<b>71B6</b>			
	10.0	148	90	6259	1.8					
	7.5	181	120	6270	1.3					
	0.25	6.0	211	150	6270	1.0	<b>PS071 - WGM075</b>	<b>71A4</b>		
		9.3	151	150	7380	1.7				
		7.8	172	180	7380	1.4				
		5.8	201	240	7380	1.1				
	0.25	4.7	230	300	7380	0.9	<b>PS071 - WGM075</b>	<b>71B6</b>		
		12.0	139	75	6952	2.4				
		10.0	155	90	7380	2.5				
		7.5	191	120	7380	1.9				
	0.25	6.0	219	150	7380	1.5	<b>PS071 - WGM090</b>	<b>71B6</b>		
		5.0	248	180	7380	1.2				
		5.0	263	180	8180	1.9				
	0.37	3.8	318	240	8180	1.4	<b>PS071 - WGM063</b>	<b>71B4</b>		
3.0		358	300	8180	1.1					
0.37		18.7	134	75	5083	1.2			<b>PS071 - WGM063</b>	<b>71B4</b>
		15.6	148	90	5401	1.4				
		11.7	185	120	5945	1.0				
		9.3	212	150	6270	0.8				
0.37		18.7	138	75	6000	1.8			<b>PS071 - WGM075</b>	<b>71B4</b>
		15.6	154	90	6375	1.9				
		11.7	191	120	7017	1.5				
		9.3	223	150	7380	1.1				
		7.8	254	180	7380	0.9				
0.37		7.8	268	180	8180	1.5			<b>PS071 - WGM090</b>	<b>71B4</b>
	5.8	321	240	8180	1.1					
	4.7	371	300	8180	0.9					

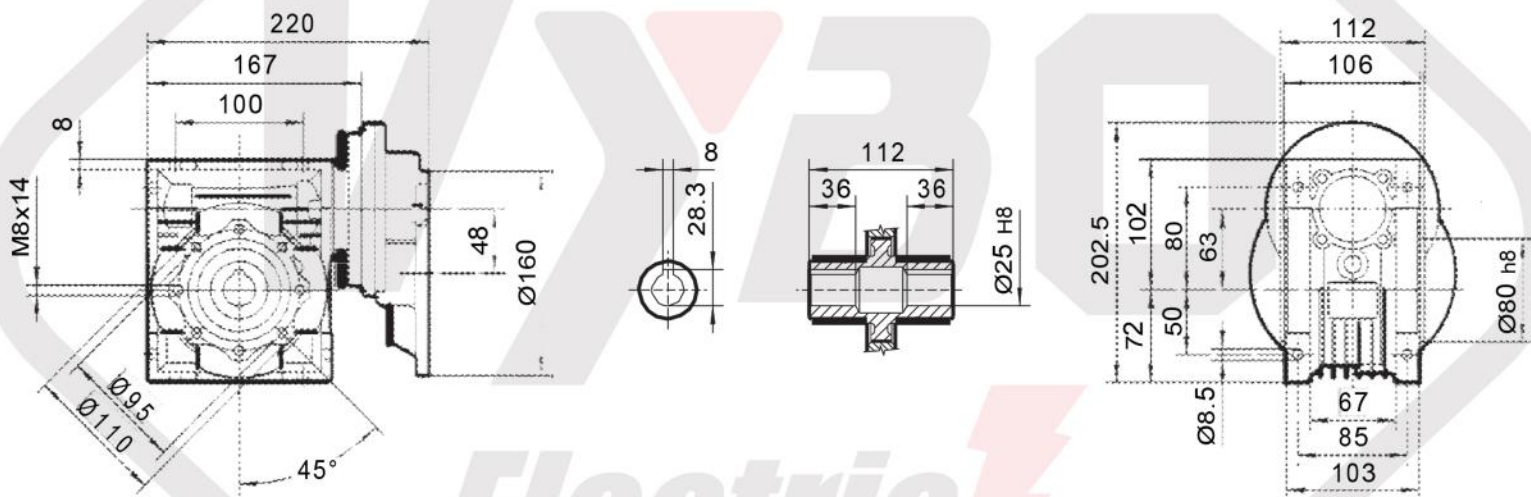
# REDUKCIA PRE ŠNEKOVÚ PREVODOVKU

## ČELNÁ MEDZIPREVODOVKA TYP 71

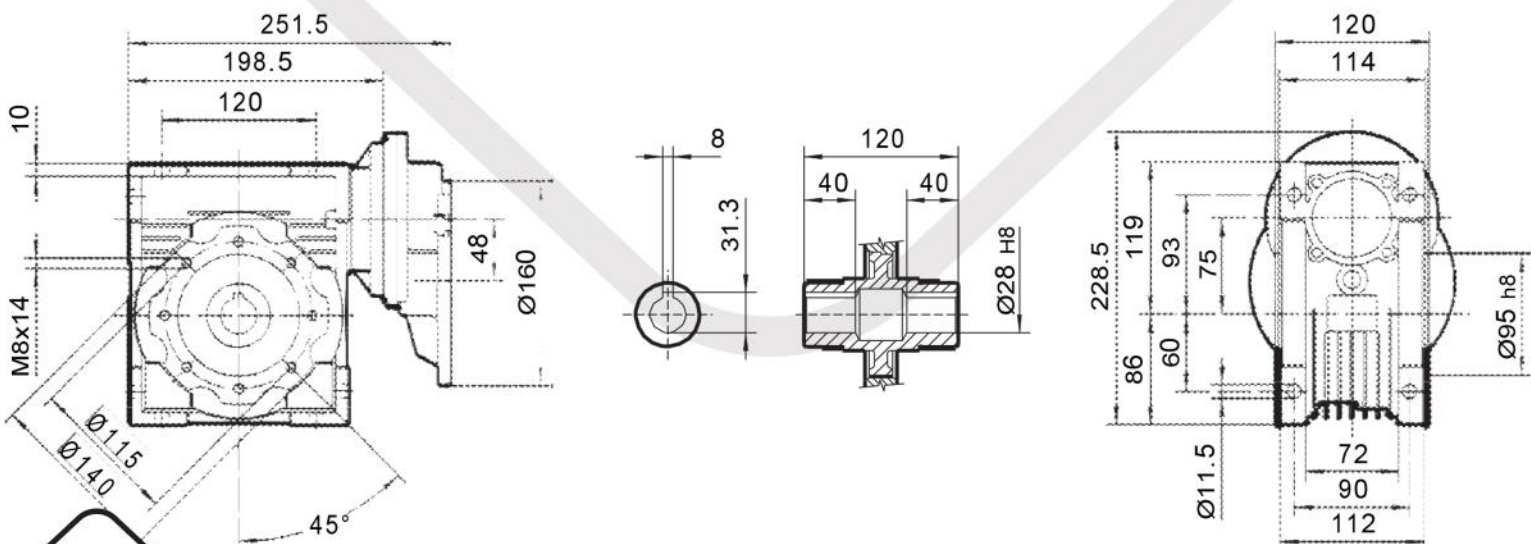
### PS071 - WGM050



### PS071 - WGM063



### PS071 - WGM075

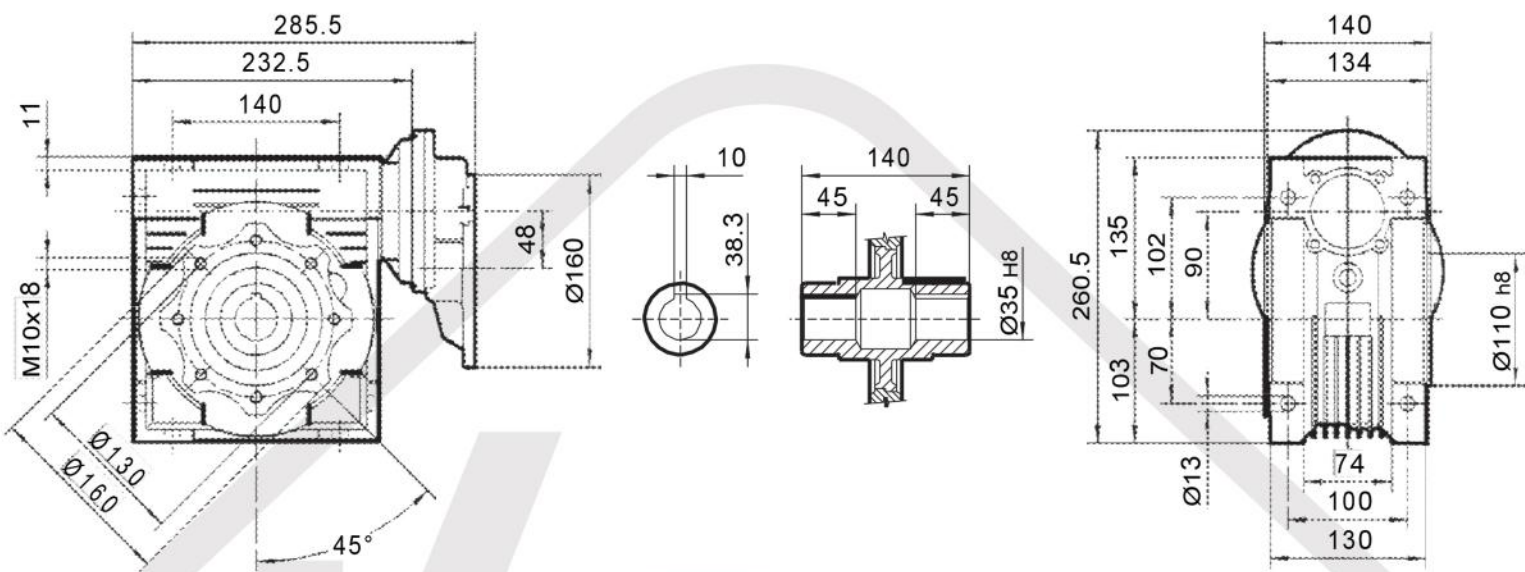


Electric s.r.o.

# REDUKCIA PRE ŠNEKOVÚ PREVODOVKU

## ČELNÁ MEDZIPREVODOVKA TYP 71

PS071 - WGM090



### Montážne polohy

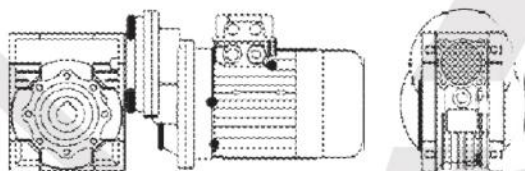
PS.. - WGM...U - B3

B6

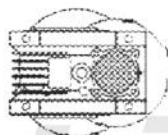
V5

V6

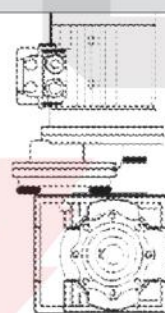
1



1



1

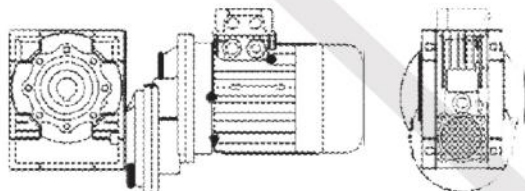


B8

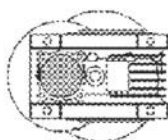
B7

s.r.o.

3



1



1

